



**Technical Features**

**Press-fit zone**

Multispring

**Material thickness**

0.6 mm

**Total Temperature Range**

-40° C ... +130° C

**Insertion Force**

Max 150 N

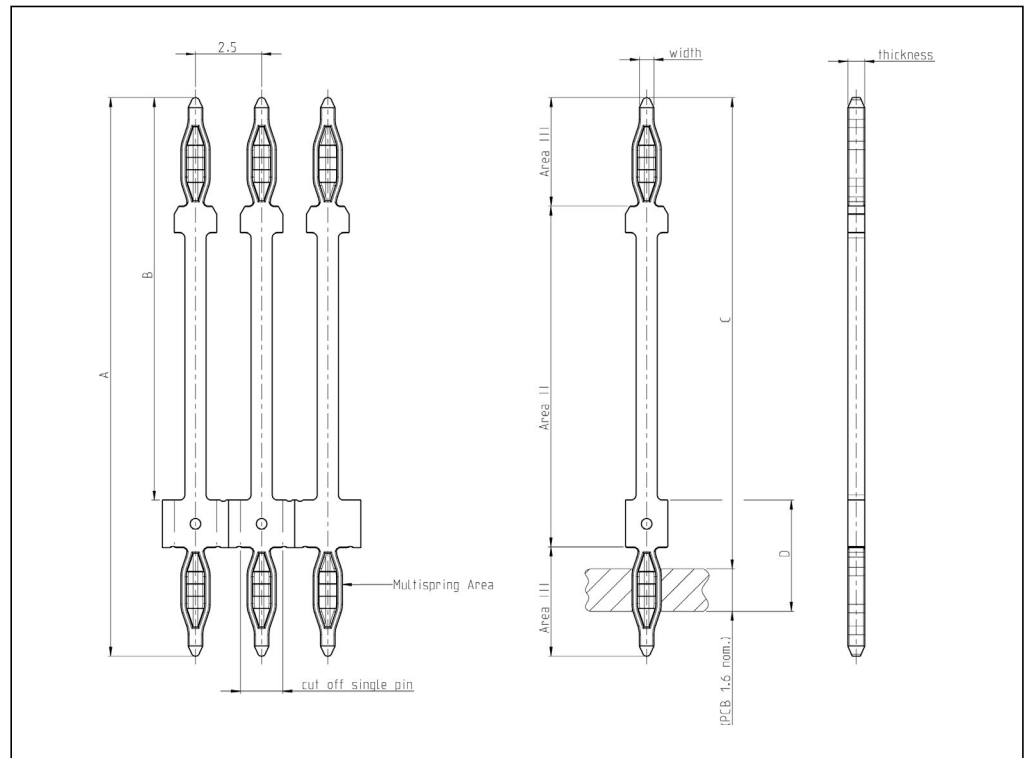
**Push-out Force**

Min 30 N

**Current Carrying Capacity**

up to 12 Ampere  
(@ 80° C ambient temperature)

**Multispring Press-Fit Double Pin**



**Product Drawing**  
2141016

**Product Requirements**  
IEC 60352-5 / TE 108-90800

**Product Specification**  
108-90800

**Multispring Press-Fit Double Pin**

Dimensions Area III, Press Fit Area (mm) Width x Thickness	Dimensions (mm)				Nominal PCB Hole Diameter (mm)	Material	Finish Area III, Press-Fit Area	Part Number	Conversion Kit for P100/P300/P350 *)
	A	B	C	D					
0.64 x 0.64	21.10	15.20	17.80	4.20	1.0	CuSn	Sn	2141016-2	3-*410-3

\*) For dash numbers please contact TE Application Tooling